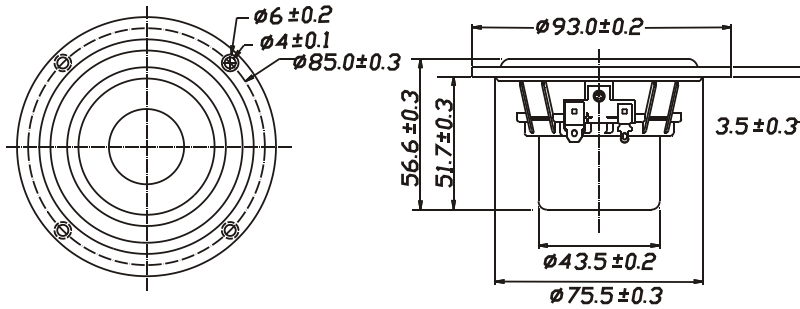


# F SERIES

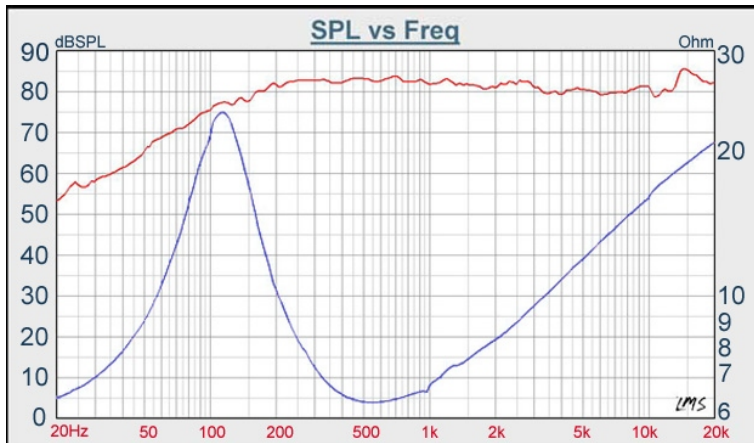
# W3-1231SH



- FULL RANGE FREQUENCY RESPONSE
- HIGH POWER LOADING DESIGN
- DIE CAST BASKET, TITANIUM COLOR PAINTED, VC VENTED DESIGN
- TITANIUM CONE WITH SANTOPRENE SURROUND
- MAGNETICALLY SHIELDED
- UNDERHUNG MOTOR DESIGN

## 3" TI FULL RANGE

DIAPHRAGM MTL	Titanium
SURROUND MTL	Santoprene
NOMINAL IMPEDANCE	6
DCR IMPEDANCE	5.6
SENSITIVITY 1W/1m	88 dB
FREQUENCY RESPONSE	110 - 20K Hz
FREE AIR RESONANCE	110 Hz
VOICE COIL DIAMETER	25.4 mm
AIR GAP HEIGHT	8 mm
RATED POWER INPUT	15 W
MAXIMUM POWER INPUT	30 W
FORCE FACTOR, BL	5.18 TM
MAGNET WEIGHT ( oz)	Neodymium
MOVING MASS	2.50 g
FERROFLUID ENHANCED	No
SUSPENSION COMPLIANCE	845.684 MN <sup>-1</sup>
EFFECTIVE PISTON AREA	0.0032 M <sup>2</sup>
Levc	0.009 mH
Zo	36 ohm
X-max	1.25 mm
Vas	1.23 Litr
Qts	0.30
Qms	1.94
Qes	0.36



# TB SPEAKERS

P.O. BOX 10-53 NEI HU, TAIPEI, TAIWAN  
 VOICE 886.2.26570282 FAX 886.2.26580166  
 E-MAIL : INFO@TB-SPEAKER.COM